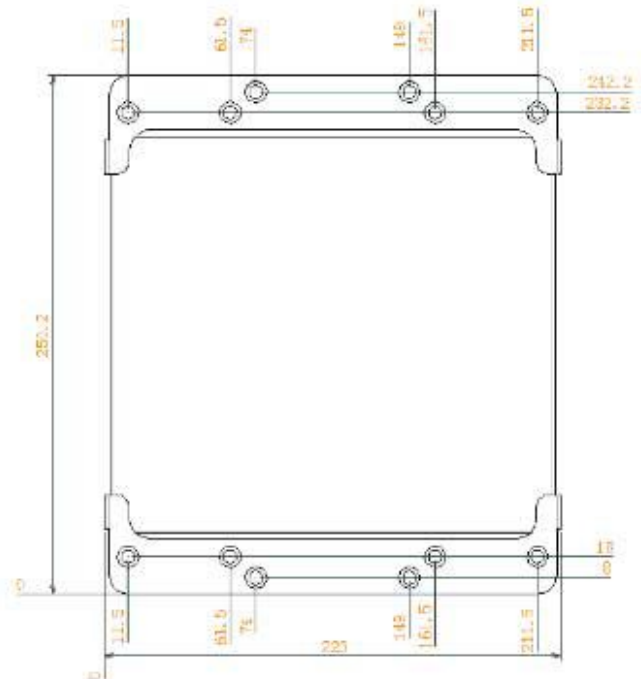




Wall mount Drawing

Specification

Model	T210034
System	Compact Mini ITX System, Intel® Celeron® on-board SoC
Chassis	IT201 (T2 T-Bone) Stylish Black with optional FAN, PWR / HDD Led 1* 2.5" Drive Bay
Mainboard	KINO-DBT-N28071-R10
CPU	Intel® Celeron® N2807 on-board SoC (1.58GHz, dual-core, 2MB cache, TDP=4.5W)
Memory	4GB (2x2) DDR3L SODIMM 1600Mhzon 2* DIMM (16GB max)
Display	Intel® HD Graphics Gen 7 Engines with 4 execution units, supporting DX11.1, OpenGL 4.2 and OpenCL1.2 DVI-D (up to 2560x1600 @ 60 Hz) VGA (up to 1920x1200 @ 60 Hz)
Ethernet	Dual Realtek RTL8111E PCIe GbE controller
Audio	Realtek ALC662 HD codec supports 5.1 channelc
Digital I/O	8-bit digital I/O (2x5 pin)
Rear I/O	2* RS232 DB9, VGA, DVI-D, 2* RJ45 GbE, 2* USB 2.0, 2* USB 3.0, Audio
on Board	Optinal via Cable: 1* Com Port RS232 or RS422/485 TPM, SMBUS (4pin), Digital I/O (2*5pin), PS/2, USB2.0 (2.0mm), 1* Mini PClex1 w/ mSATA
Watch Dog	Software programmable, support 1~255 sec. system reset
Power	4pin 12VDC via 84Watt AC/DC Adapter 90-230V AC
Dimension	W218 x D 200 x H 56 mm
Weight	2,05KG without Power Adapter / Mounting Kits



Packing List	1* T210034 ITX System, Intel® Celeron® N2807 on-board SoC, 2x2GB RAM, 500GB SATA HDD AD84M4PP24 12V pin Power Adapter 90-230V AC, EU Power Card Driver / Utility DVD, ONEKEY Recovery DVD 2* Stand for Vertical Desktop use
---------------------	--

Optional Parts	32200-000049-RS, 1* DB9 COM Port RS232 32205-003800-300-RS 1* DB9 COM Port RS422/485 T23WVK, Wall mount need 2 pcs / half Vesa mount only 1 pcs F2X410 2* 40mm FAN mSATA SSD (Colay with mPCIe port) Bluetooth, W-LAN, WIFI, 3G, 4G Modem, SIM, GPS via mPCIe Slot
-----------------------	---